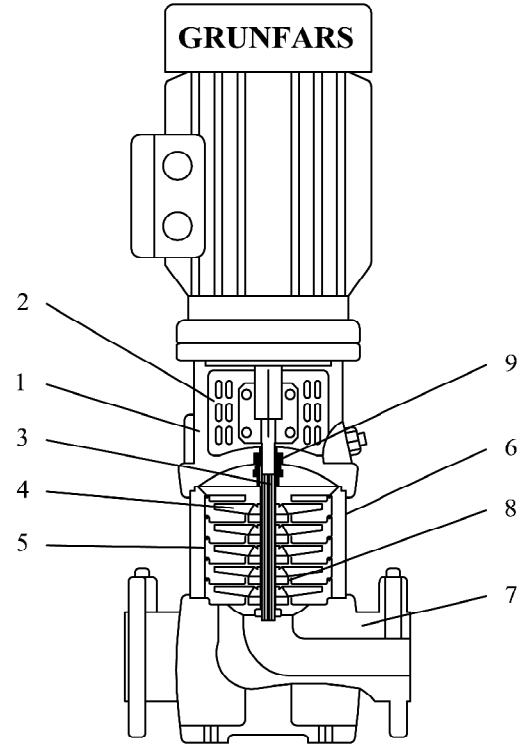




Materials GPR1/GPRN1

POS. NO.	Description	Materials	DIN W.-NO	AISI / ASTM
1	Pump head	Cast iron GG20	0.6020	ASTM 25B
* 2	Cupling guard	stainless steel	1.4301	AISI 304
3	shaft	stainless steel	1.4401 1.4057	AISI 316 AISI 431
* 4	impeller	stainless steel	1.4301	AISI 304
* 5	intermediate chamber	stainless steel	1.4301	AISI 304
* 6	Outer sleeve	stainless steel	1.4301	AISI 304
	Stay bolts	stainless steel or steel 50	1.4057 1.0531	AISI 431
* 7	Base	Cast iron GG20	0.6020	ASTM 25B
8	Neck ring	Teflon		
9	shaft seal	Tungsten carbide Silicon carbide		
	Rubber parts in pump	EPDM or FPM (viton)		



Material for Position No. Marked * in GPRN Type is -
Stainless Steel (1.4401 AISI 316)

Electrical Data

pump type	Motor		Full load current I 1/1 [A]	Power Factor Cosφ 1/1	Motor Efficiency n [%]	$\frac{I_{start}}{I_{1/1}}$
	[KW]	[hp]				
GPR1-2	0.37	0.5	0.96	0.84-0.76	77.5-77.5	4.8-5.2
GPR1-3	0.37	0.5	0.96	0.84-0.76	77.5-77.5	4.8-5.2
GPR1-4	0.37	0.5	0.96	0.84-0.76	77.5-77.5	4.8-5.2
GPR1-5	0.37	0.5	0.96	0.84-0.76	77.5-77.5	4.8-5.2
GPR1-6	0.37	0.5	0.96	0.84-0.76	77.5-77.5	4.8-5.2
GPR1-7	0.37	0.5	0.96	0.84-0.76	77.5-77.5	4.8-5.2
GPR1-8	0.55	0.75	1.44	0.84-0.76	79.0-79.0	4.8-5.2
GPR1-9	0.55	0.75	1.44	0.84-0.76	79.0-79.0	4.8-5.2
GPR1-10	0.55	0.75	1.44	0.84-0.76	79.0-79.0	4.8-5.2
GPR1-11	0.55	0.75	1.44	0.84-0.76	79.0-79.0	4.8-5.2
GPR1-12	0.75	1.0	1.86	0.86-0.78	80.0-80.0	5.0-5.5
GPR1-13	0.75	1.0	1.86	0.86-0.78	80.0-80.0	5.0-5.5
GPR1-15	0.75	1.0	1.86	0.86-0.78	80.0-80.0	5.0-5.5
GPR1-17	1.1	1.5	2.65	0.87-0.79	81.0-81.0	5.2-5.7
GPR1-19	1.1	1.5	2.65	0.87-0.79	81.0-81.0	5.2-5.7
GPR1-21	1.1	1.5	2.65	0.87-0.79	81.0-81.0	5.2-5.7
GPR1-23	1.1	1.5	2.65	0.87-0.79	81.0-81.0	5.2-5.7
GPR1-25	1.5	2.0	3.40	0.85-0.79	82.0-82.0	6.3-6.9
GPR1-27	1.5	2.0	3.40	0.85-0.79	82.0-82.0	6.3-6.9
GPR1-30	1.5	2.0	3.40	0.85-0.79	82.0-82.0	6.3-6.9
GPR1-33	2.2	3.0	4.75	0.87-0.82	84.0-84.0	7.0-7.6
GPR1-36	2.2	3.0	4.75	0.87-0.82	84.0-84.0	7.0-7.6