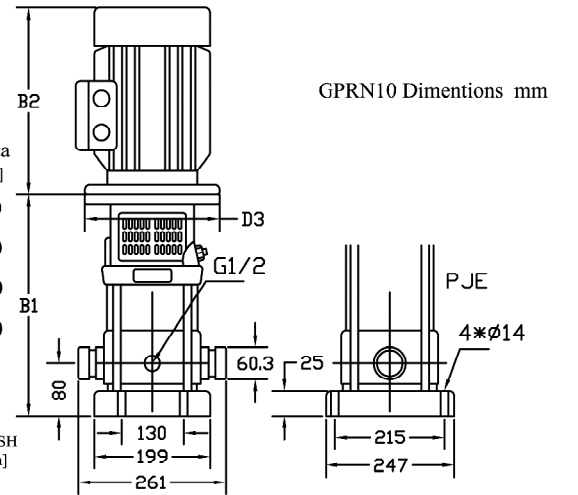
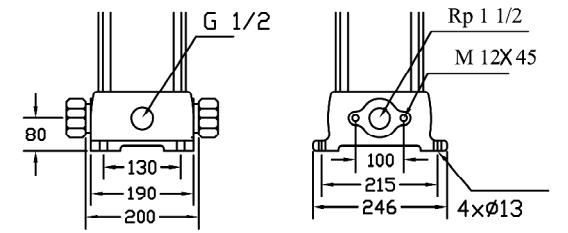
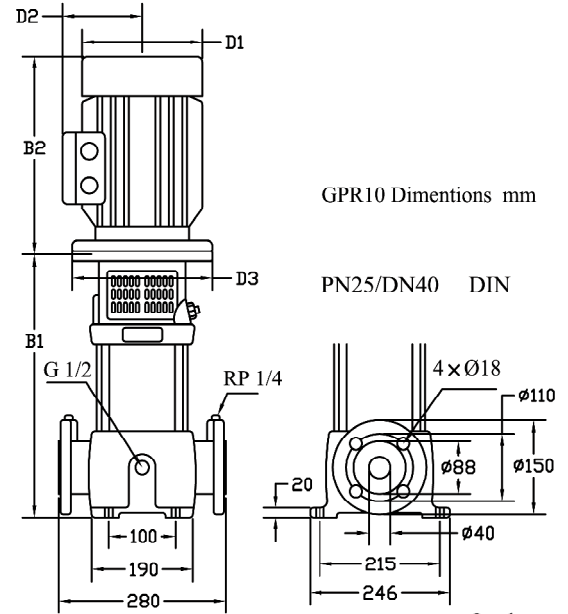
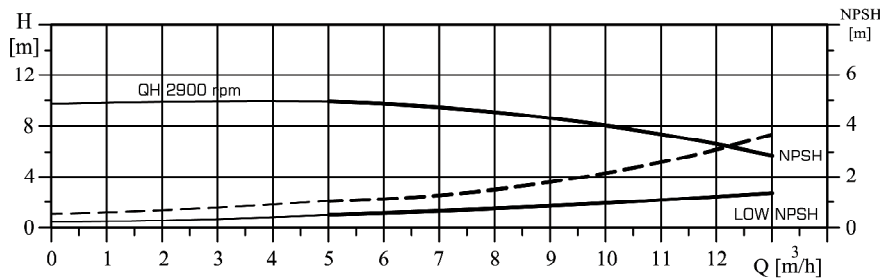
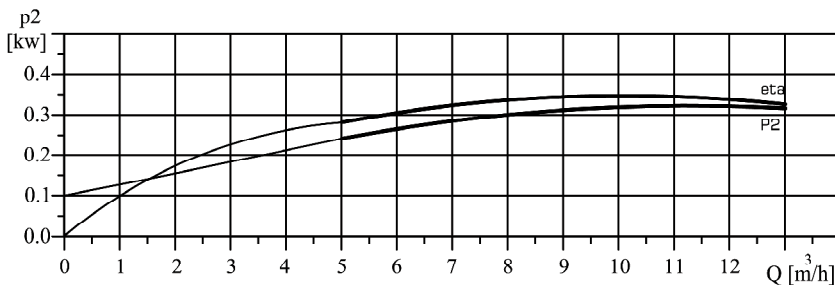
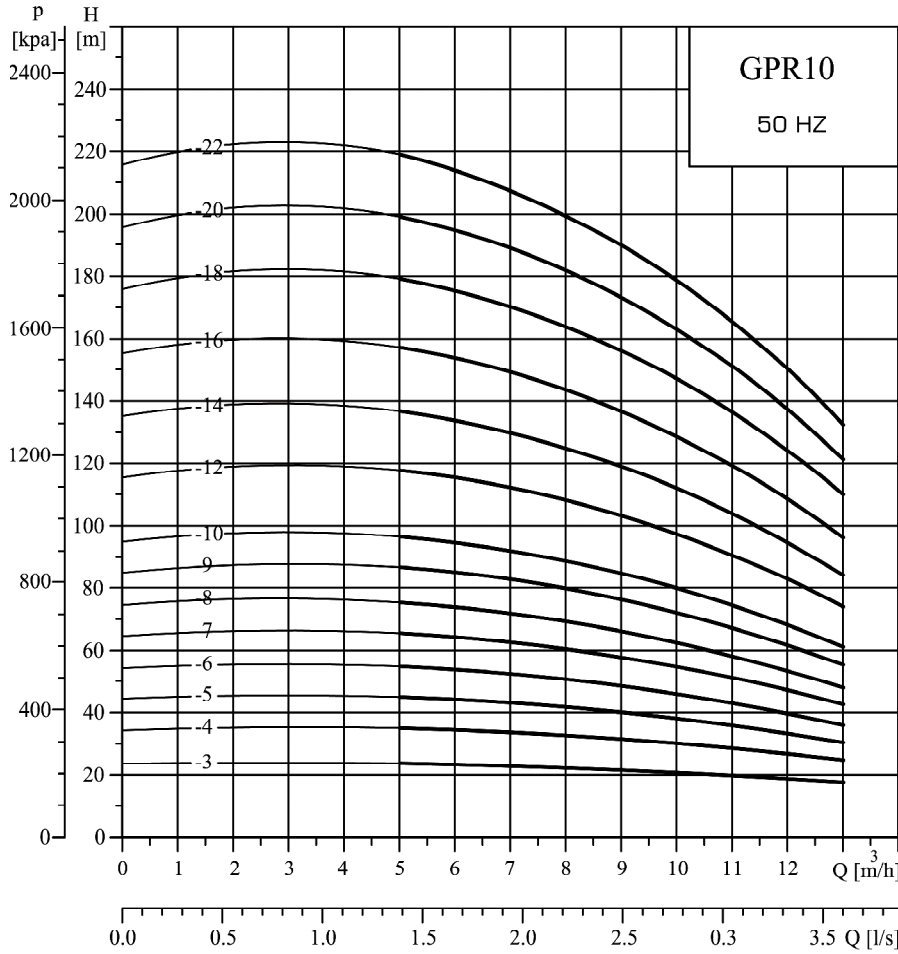




GPR10/GPRN10



Dimensions and weights

pump type	Dimensions [mm]								Net Weight [kg]	
	*		**		**		D3		*	**
	B1	B2	B1+B2	B1	B1+B2	D1	D2	D3	*	**
GPR10-3	423	231	654	423	654	141	110	-	37	40
GPR10-4	423	231	704	423	704	178	110	-	43	46
GPR10-5	453	281	734	453	734	178	110	-	46	49
GPR10-6	483	281	764	483	764	178	110	-	47	50
GPR10-7	518	335	853	518	853	178	110	-	52	55
GPR10-8	548	335	883	548	883	178	110	-	53	56
GPR10-9	578	372	950	578	950	220	134	-	65	68
GPR10-10	608	372	980	608	980	220	134	-	65	68
GPR10-12	668	372	1040	668	1040	220	134	-	67	70
GPR10-14	760	391	1151	760	1151	220	134	300	90	93
GPR10-16	820	391	1211	820	1211	220	134	300	92	95
GPR10-18	-	-	-	880	1271	220	134	300	-	100
GPR10-20	-	-	-	940	1331	220	134	300	-	103
GPR10-22	-	-	-	1000	1391	220	134	300	-	105

* GPR10 With Oval flanges

** GPR10 With DIN flanges

Pipework connection

DIN 2566 with threaded socket

DIN/2634/2635 with socket for welding

* Oval flange base for pump models GPR10-3 to GPR10-16

** DIN flange base for pump models GPR10-3 to GPR10-22