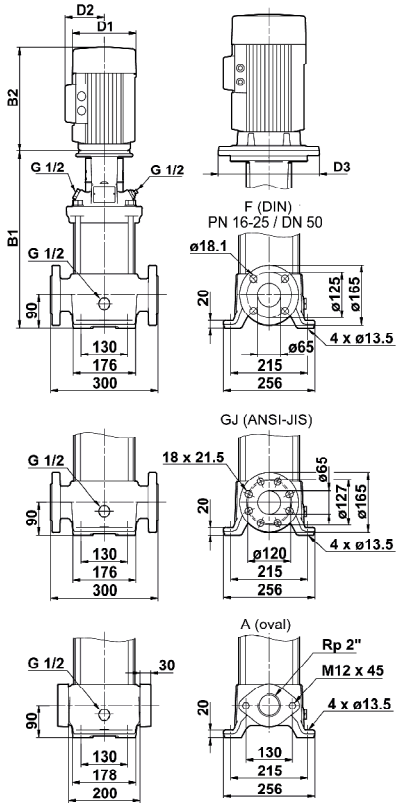


Dimensional sketches



Dimensions and weights

Pump type	Dimensions [mm]							Net weight [kg]	
	Oval flange		DIN flange		D1	D2	D3	Oval flange	DIN flange
	B1	B1+B2	B1	B1+B2				Oval	DIN
GPR15-2	415	750	415	750	178	110	-	53.0	54.0
GPR15-3	465	837	465	837	220	134	-	65.0	66.0
GPR15-4	510	882	510	882	220	134	-	66.0	66.0
GPR15-5	555	946	555	946	220	134	300	76.1	77.1
GPR15-6	632	1023	632	1023	220	134	300	89.0	90.0
GPR15-7	677	1068	677	1068	220	134	300	93.9	94.9
GPR15-8	-	-	722	1113	220	134	300	-	95.0
GPR15-9	-	-	767	1231	260	172	352	-	122.0
GPR15-10	-	-	889	1353	260	172	352	-	129.0
GPR15-12	-	-	979	1443	260	172	352	-	13.0
GPR15-14	-	-	1069	1547	306	197	352	-	150.0
GPR15-17	-	-	1204	1682	306	197	352	-	155.0

Electrical data

3 x 380-415 V, 50 Hz

Pump type	Motor P ₂ [kW]	Full load current I _{1/1} [A]	Power factor Cos φ 1/1	Motor efficiency η [%]	I _{start} / I _{1/1}
GPR15-2	3.0	6.25	0.88-0.82	86.0-86.0	7.8-8.5
GPR15-3	4.0	8.00	0.90-0.87	87.0-87.0	8.7-9.5
GPR15-4	4.0	8.00	0.90-0.87	87.0-87.0	8.7-9.5
GPR15-5	5.5	11.0	0.89-0.86	87.5-87.5	8.9-9.7
GPR15-6	5.5	11.0	0.89-0.86	87.5-87.5	8.9-9.7
GPR15-7	7.5	15.2	0.87-0.81	88.0-88.0	9.1-9.9
GPR15-8	7.5	15.2	0.87-0.81	88.0-88.0	9.1-9.9
GPR15-9	11.0	21.5	0.91-0.87	90.0-90.0	7.3-8.0
GPR15-10	11.0	21.5	0.91-0.87	90.0-90.0	7.3-8.0
GPR15-12	11.0	21.5	0.91-0.87	90.0-90.0	7.3-8.0
GPR15-14	15.0	28.7	0.87	90.0	6.0
GPR15-17	15.0	28.7	0.87	90.0	6.0