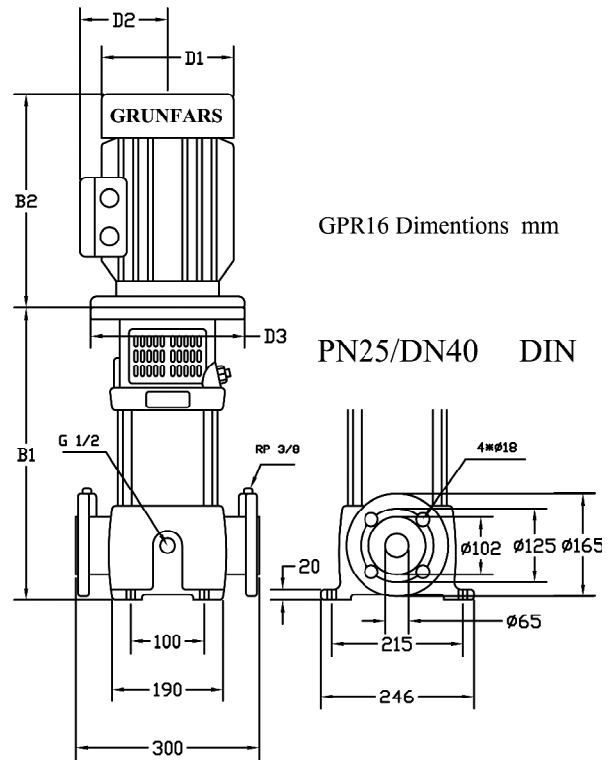
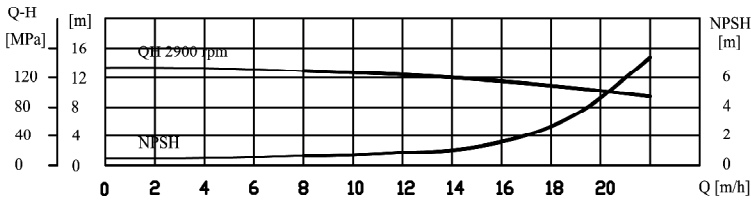
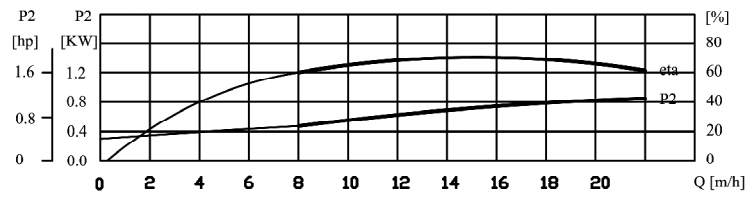
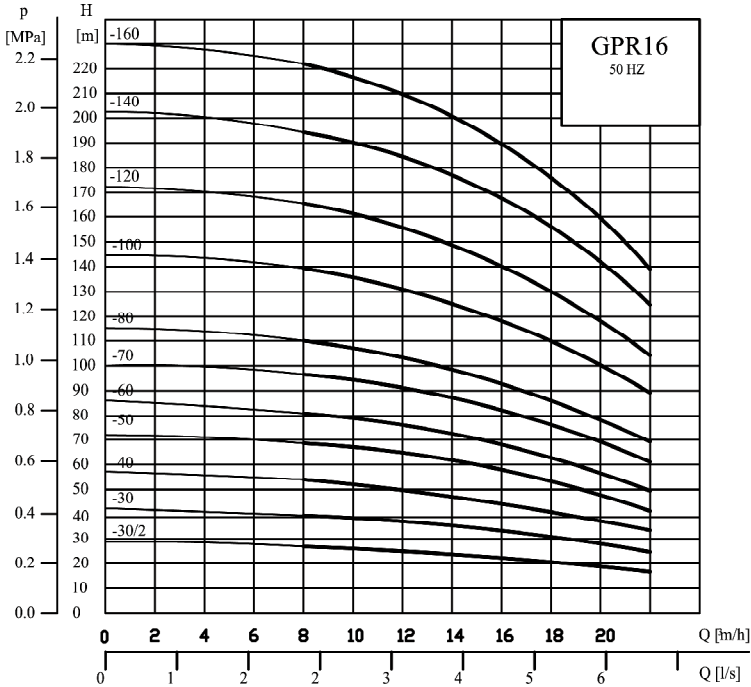




GPR16/GPRN16



Dimensions and weights

pump type	DIMENSIONS [mm]						Net Weight [kg]
	B1	B2	B1+B2	D1	D2	D3	
GPR16-30/2	460	280	740	180	110		50
GPR16-30	460	335	795	180	110		55
GPR16-40	505	370	875	180	135		60
GPR16-50	570	390	960	220	135	300	80
GPR16-60	615	390	1005	220	135	300	85
GPR16-70	660	390	1050	220	135	300	90
GPR16-80	705	390	1095	220	135	300	90
GPR16-100	825	465	1290	260	170	350	125
GPR16-120	915	465	1380	260	170	350	130
GPR16-140	1005	505	1510	325	250	350	175
GPR16-160	1095	505	1600	325	250	350	180

Pipework connection
DIN 2566 with threaded socket
DIN/2634 with socket for welding

