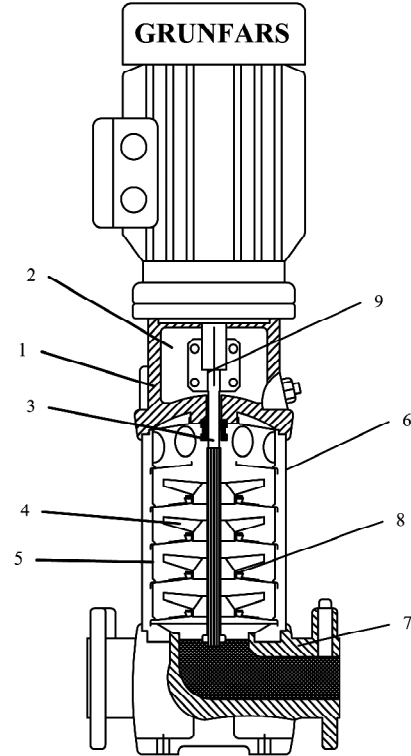


Materials GPR16/GPRN16

POS. NO.	Description	Materials	DIN W.-NO	AISI/ASTM
1	Pump head	Cast iron GG20	0.6020	ASTM 25B
* 2	Cupling guard	stainless steel	1.4301	AISI 304
3	shaft	stainless steel	1.4401 1.4057	AISI 316 AISI 431
* 4	impeller	stainless steel	1.4301	AISI 304
* 5	intermediate chamber	stainless steel	1.4301	AISI 304
* 6	Outer sleeve	stainless steel	1.4301	AISI 304
	Stay bolts	stainless steel or steel 50	1.4057 1.0531	AISI 431
* 7	Base	Cast iron GG20	0.6020	ASTM 25B
8	Neck ring	Teflon		
9	shaft seal	Tungesten carbide Silicon carbide		
	Rubber parts in pump	EPDM or FPM (viton)		



Material for Position No. Marked * in GPRN Type is -
Stainless Steel (1.4401 AISI 316)

Electrical Data

3 X 380-415 V , 50 HZ

pump type	Motor		Full load current I _{1/1} [A]	Power Factor Cosφ 1/1	Motor Efficiency η [%]	$\frac{I_{start}}{I_{1/1}}$
	[KW]	[hp]				
GPR16-30/2	2.2	3.0	4.75	0.87-0.82	84	7.0-7.6
GPR16-30	3.0	4.0	6.25	0.88-0.82	86	7.8-8.5
GPR16-40	4.0	5.5	8.00	0.90-0.87	87	8.7-9.5
GPR16-50	5.5	7.5	11.0	0.89-0.86	88.5	8.9-9.7
GPR16-60	5.5	7.5	11.0	0.89-0.86	88.5	8.9-9.7
GPR16-70	7.5	10	15.2	0.87-0.81	89	9.1-9.9
GPR16-80	7.5	10	15.2	0.87-0.81	89	9.1-9.9
GPR16-100	11	15	21.5	0.91-0.87	85	7.3-8.0
GPR16-120	11	15	21.5	0.91-0.87	85	7.3-8.0
GPR16-140	15	20	29.4-27.1	0.88	88.2-87.9	7.0-7.8
GPR16-160	15	20	29.4-27.1	0.88	88.2-87.9	7.0-7.8

Motors : Enclosure clas IP55

Standard 50HZ voltages available:

3x220-240/380-415 V-motors up to 3kw

3x380-415V-motors from 4kw and upwards

1x240V-motors up to 2.2kw

Motors for other voltages available on request

All motors must be connected to a motor starter-
in accordance with local regulations