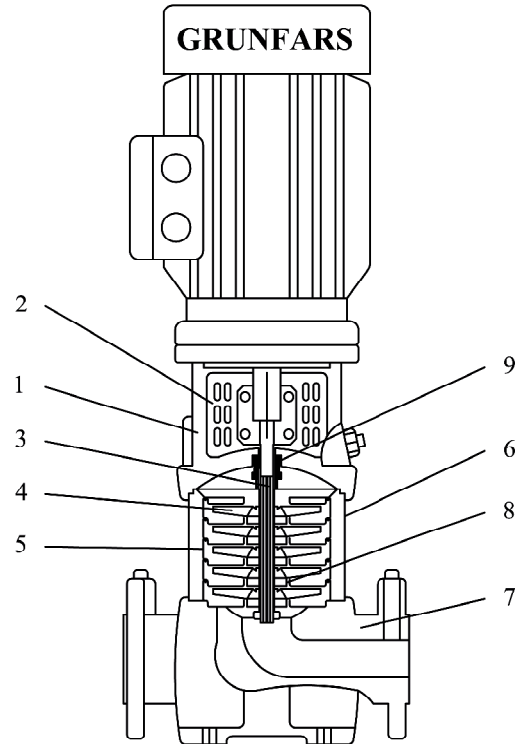


## Materials GPR /GPRI /GPRN3

POS. NO.	Description	Materials	DIN W.-NO	AISI / ASTM
1	Pump head	Cast iron GG20	0.6020	ASTM 25B
* 2	Cupling guard	stainless steel	1.4301	AISI 304
3	shaft	stainless steel	1.4401 1.4057	AISI 316 AISI 431
* 4	impeller	stainless steel	1.4301	AISI 304
* 5	intermediate chamber	stainless steel	1.4301	AISI 304
* 6	Outer sleeve	stainless steel	1.4301	AISI 304
	Stay bolts	stainless steel or steel 50	1.4057 1.0531	AISI 431
* 7	Base	Cast iron GG20	0.6020	ASTM 25B
8	Neck ring	Teflon		
9	shaft seal	Tungesten carbide Silicon carbide		
	Rubber parts in pump	EPDM or FPM (viton)		



Material for Position No. Marked \* in GPRN Type is -  
Stainless Steel (1.4401 AISI 316)

## Electrical Data

pump type	Motor		Full load current I 1/1 [ A ]	Power Factor Cosφ 1/1	Motor Efficiency n [ % ]	$\frac{I_{start}}{I_{1/1}}$
	[ KW ]	[ hp ]				
GPR3-3	0.37	0.5	0.96	0.84-0.76	72	4.8-5.2
GPR3-4	0.37	0.5	0.96	0.84-0.76	72	4.8-5.2
GPR3-5	0.37	0.5	0.96	0.84-0.76	72	4.8-5.2
GPR3-6	0.55	0.75	1.44	0.84-0.76	72	4.8-5.2
GPR3-7	0.55	0.75	1.44	0.84-0.76	72	4.8-5.2
GPR3-8	0.75	1.0	1.86	0.86-0.78	74	5.0-5.5
GPR3-9	0.75	1.0	1.86	0.84-0.76	74	5.0-5.5
GPR3-10	0.75	1.0	1.86	0.86-0.78	74	5.0-5.5
GPR3-11	1.1	1.5	2.65	0.87-0.79	76	5.2-5.7
GPR3-12	1.1	1.5	2.65	0.87-0.79	76	5.2-5.7
GPR3-13	1.1	1.5	2.65	0.87-0.79	76	5.2-5.7
GPR3-15	1.1	1.5	2.65	0.87-0.79	76	5.2-5.7
GPR3-17	1.5	2.0	3.4	0.85-0.79	82	6.3-6.9
GPR3-19	1.5	2.0	3.4	0.85-0.79	82	6.3-6.9
GPR3-21	2.2	3.0	4.75	0.87-0.82	84	7.0-7.6
GPR3-23	2.2	3.0	4.75	0.87-0.82	84	7.0-7.6
GPR3-25	2.2	3.0	4.75	0.87-0.82	84	7.0-7.6
GPR3-27	2.2	3.0	4.75	0.87-0.82	84	7.0-7.6
GPR3-29	2.2	3.0	4.75	0.87-0.82	84	7.0-7.6
GPR3-31	3.0	4.0	6.25	0.88-0.82	86	7.8-8.5
GPR3-33	3.0	4.0	6.25	0.88-0.82	86	7.8-8.5
GPR3-36	3.0	4.0	6.25	0.88-0.82	86	7.8-8.5