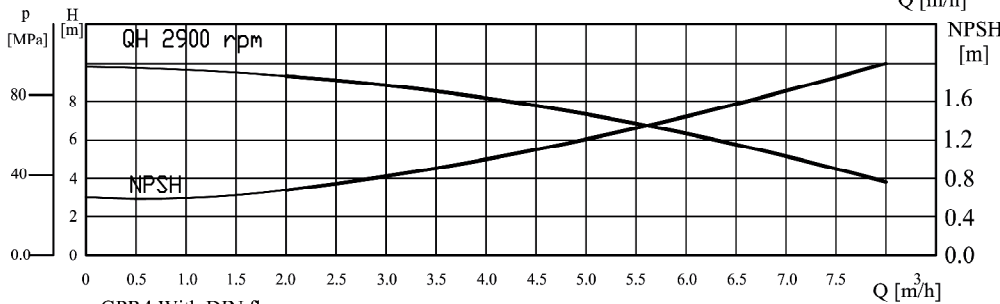
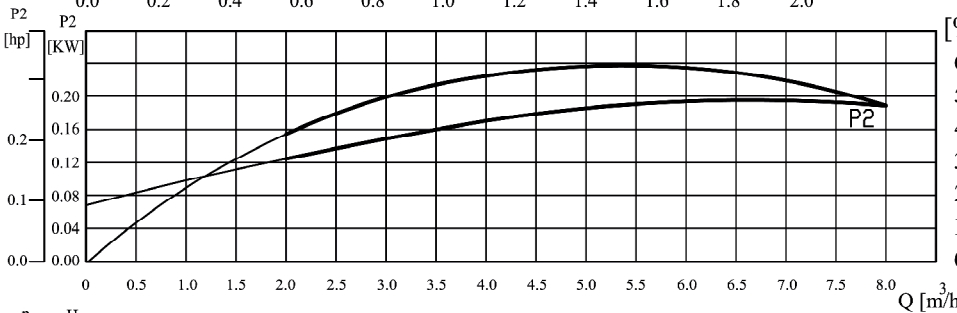
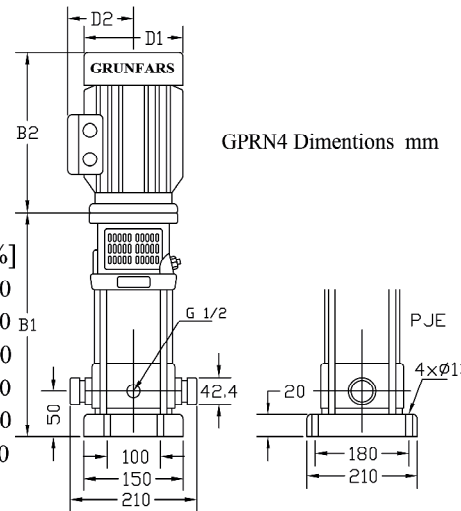
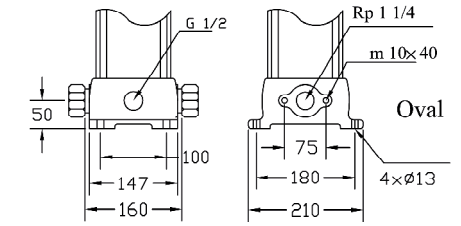
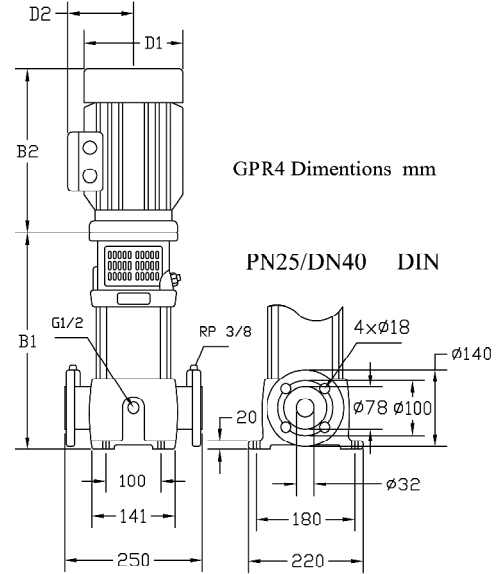
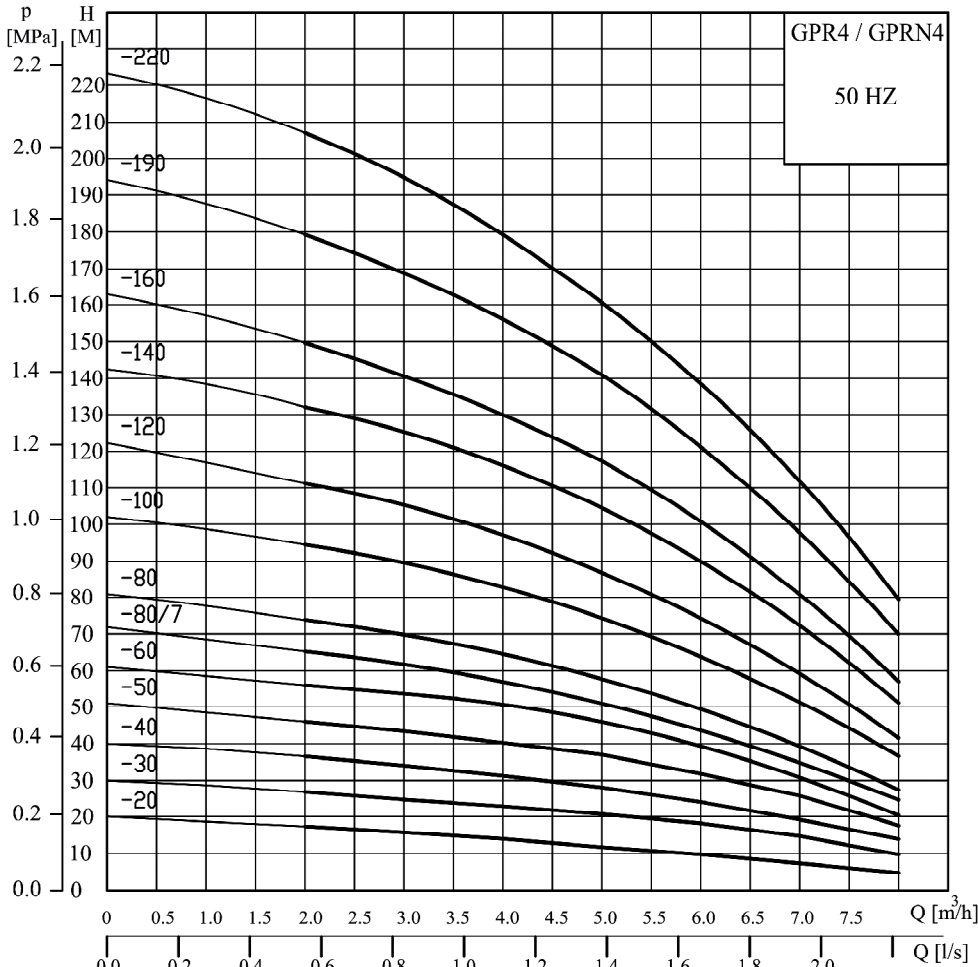




GPR4 / GPRN4



Dimensions and weights

| pump type | Dimensions [mm] | | | | | | | | Net Weight [kg] | |
|-----------|-----------------|-----|-------|-----|------|-------|-----|----|-----------------|----|
| | B1 | D2 | B1+B2 | * | ** | B1+B2 | D1 | D2 | * | ** |
| GPR4-20 | 235 | 190 | 425 | 260 | 450 | 140 | 110 | 20 | 25 | |
| GPR4-30 | 265 | 190 | 455 | 290 | 480 | 140 | 110 | 20 | 25 | |
| GPR4-40 | 295 | 230 | 525 | 320 | 550 | 140 | 110 | 20 | 25 | |
| GPR4-50 | 325 | 230 | 555 | 350 | 580 | 140 | 110 | 20 | 25 | |
| GPR4-60 | 350 | 230 | 580 | 375 | 605 | 140 | 110 | 20 | 25 | |
| GPR4-80/7 | 420 | 280 | 700 | 445 | 720 | 180 | 125 | 25 | 30 | |
| GPR4-80 | 420 | 280 | 700 | 445 | 725 | 180 | 110 | 25 | 30 | |
| GPR4-100 | 475 | 280 | 755 | 500 | 780 | 180 | 110 | 30 | 35 | |
| GPR4-120 | 530 | 280 | 810 | 555 | 835 | 180 | 110 | 30 | 35 | |
| GPR4-140 | 645 | 335 | 980 | 670 | 1005 | 180 | 110 | 40 | 45 | |
| GPR4-160 | 645 | 335 | 980 | 670 | 1005 | 180 | 110 | 40 | 45 | |
| GPR4-190 | | 370 | | 750 | 1080 | 180 | 135 | | 60 | |
| GPR4-220 | | 370 | | 830 | 1200 | 180 | 135 | | 65 | |

* GPR4 With DIN flanges

** GPR4 With Oval flanges

Pipework connection

DIN 2566 with threaded socket

DIN/2634/2635 with socket for welding

* Oval flange base for pump models GPR4-20/1 to GPR4-160

** DIN flange base for pump models GPR4-20/1 to GPR4-220