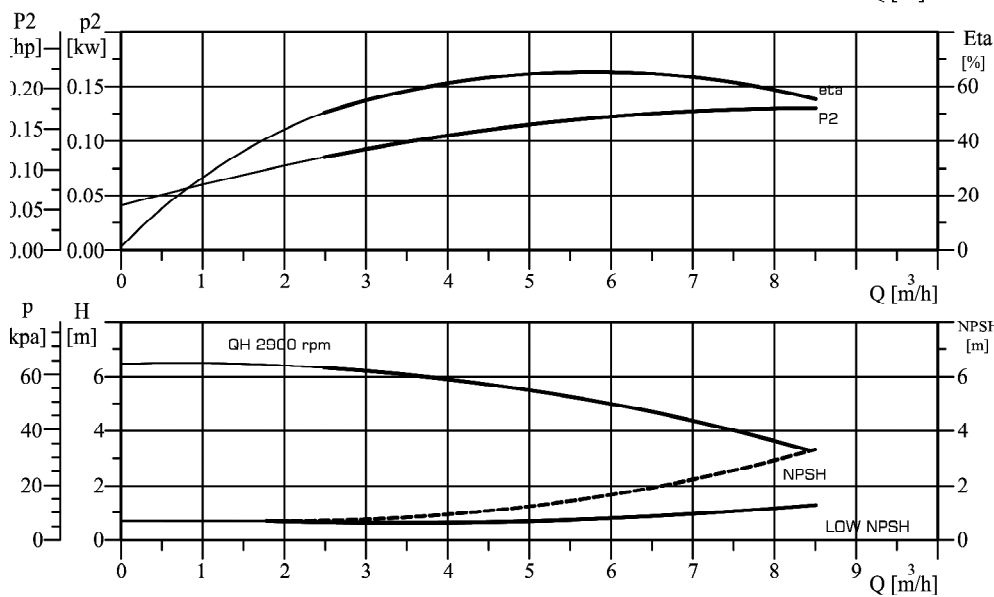
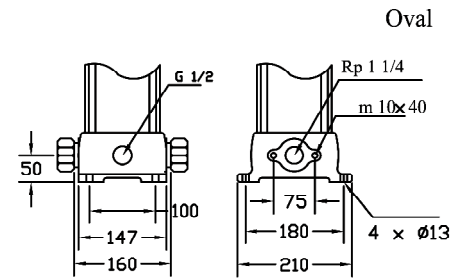
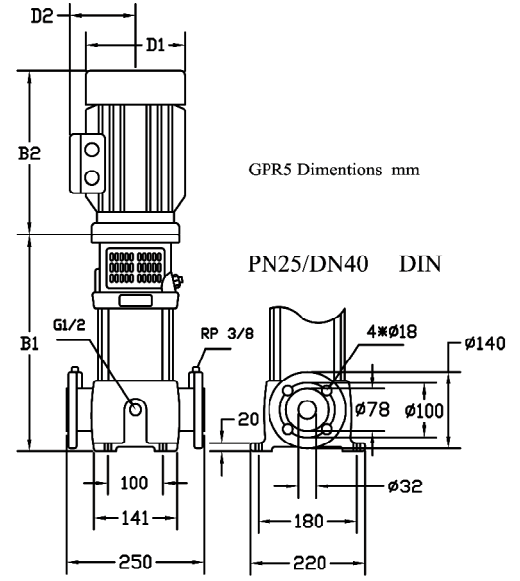
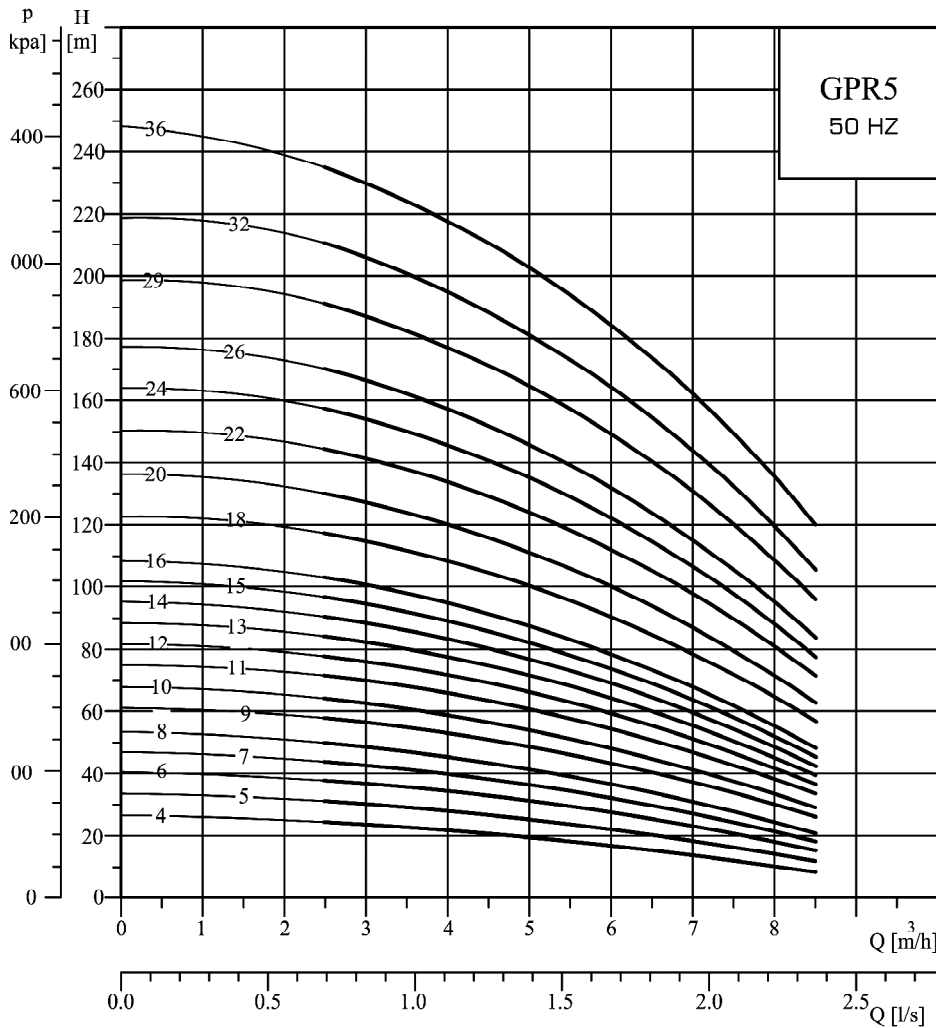


## GPR5/GPRN5



Dimensions and weights

pump type	Dimensions [mm]						Net Weight [kg]		
	B1	B2	B1+B2	B1	B1+B2	D1	D2	*	**
GPR5-4	310	191	501	335	526	141	109	19.7	23.8
GPR5-5	341	231	572	366	597	141	109	22.6	26.7
GPR5-6	368	231	599	393	624	141	109	24.6	28.7
GPR5-7	395	231	626	420	651	141	109	25.3	29.4
GPR5-8	422	231	653	447	678	141	109	26.1	30.2
GPR5-9	465	281	746	490	771	178	110	32.4	36.5
GPR5-10	492	281	773	517	798	178	110	32.8	36.9
GPR5-11	519	281	800	544	825	178	110	35.1	39.2
GPR5-12	546	281	827	571	852	178	110	35.5	39.6
GPR5-13	573	281	854	598	879	178	110	36.1	40.2
GPR5-14	600	281	881	625	906	178	110	36.8	40.9
GPR5-15	627	281	908	652	933	178	110	37.4	41.5
GPR5-16	654	281	935	679	960	178	110	38.0	42.1
GPR5-18	712	335	1047	737	1072	178	110	44.8	48.9
GPR5-20	766	335	1101	791	1126	178	110	46.1	50.2
GPR5-22	820	372	1192	845	1217	220	134	55.8	59.9
GPR5-24	-	372	-	899	1271	220	134	-	62.0
GPR5-26	-	372	-	953	1325	220	134	-	63.3
GPR5-29	-	372	-	1034	1406	220	134	-	65.2
GPR5-32	-	391	-	1145	1536	220	134	-	80.0
GPR5-36	-	391	-	1253	1644	220	134	-	82.6

- \* GPR5 With Oval flanges
- \*\* GPRG With DIN flanges
- Pipework connection
- DIN 2566 with threaded socket
- DIN/2634/2635 with socket for welding
- \* Oval flange base for pump modes GPR5-4to GPR5-22
- \*\* DIN flange base for pump modes GPR5-4 to GPR5-36