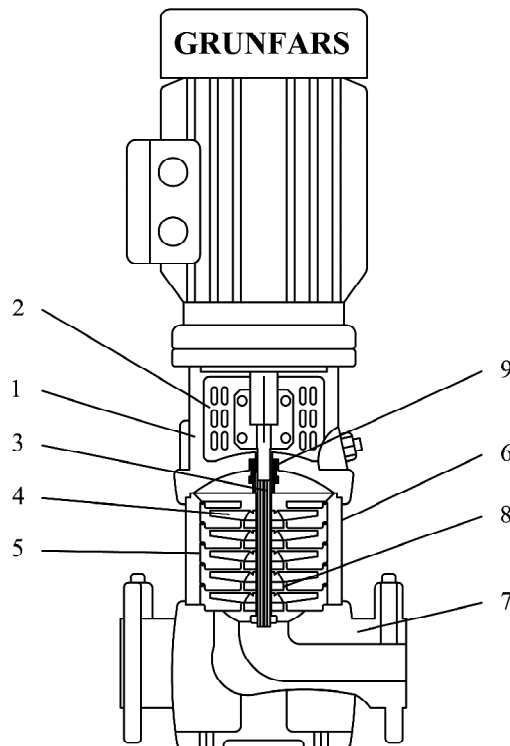


## Materials GPR5/GPRN5

POS. NO.	Description	Materials	DIN W.-NO	AISI/ASTM
1	Pump head	Cast iron GG20	0.6020	ASTM 25B
* 2	Cupling guard	stainless steel	1.4301	AISI 304
3	shaft	stainless steel	1.4401 1.4057	AISI 316 AISI 431
* 4	impeller	stainless steel	1.4301	AISI 304
* 5	intermediate chamber	stainless steel	1.4301	AISI 304
* 6	Outer sleeve	stainless steel	1.4301	AISI 304
	Stay bolts	stainless steel or steel 50	1.4057 1.0531	AISI 431
* 7	Base	Cast iron GG20	0.6020	ASTM 25B
8	Neck ring	Teflon		
9	shaft seal	Tungsten carbide Silicon carbide		
	Rubber parts in pump	EPDM or FPM (viton)		



Material for Position No. Marked \* in GPRN Type is -  
Stainless Steel (1.4401 AISI 316)

## Electrical Data

pump type	Motor		Full load current I <sub>1/1</sub> [ A ]	Power Factor Cosφ 1/1	Motor Efficiency n [ % ]	$\frac{I_{start}}{I_{1/1}}$
	[ KW ]	[ hp ]				
GPR5-4	0.75	1.0	1.86	0.86-0.78	74	5.0-5.5
GPR5-5	0.75	1.0	1.86	0.84-0.76	74	5.0-5.5
GPR5-6	1.1	1.5	2.65	0.87-0.79	76	5.2-5.7
GPR5-7	1.1	1.5	2.65	0.87-0.79	76	5.2-5.7
GPR5-8	1.1	1.5	2.65	0.87-0.79	76	5.2-5.7
GPR5-9	1.5	2.0	3.4	0.85-0.79	82	6.3-6.9
GPR5-10	1.5	2.0	3.4	0.85-0.79	82	6.3-6.9
GPR5-11	2.2	3.0	4.75	0.87-0.82	84	7.0-7.6
GPR5-12	2.2	3.0	4.75	0.87-0.82	84	7.0-7.6
GPR5-13	2.2	3.0	4.75	0.87-0.82	84	7.0-7.6
GPR5-14	2.2	3.0	4.75	0.87-0.82	84	7.0-7.6
GPR5-15	2.2	3.0	4.75	0.87-0.82	84	7.0-7.6
GPR5-16	2.2	3.0	4.75	0.87-0.82	84	7.0-7.6
GPR5-18	3.0	4.0	6.25	0.88-0.82	86	7.8-8.5
GPR5-20	3.0	4.0	6.25	0.88-0.82	86	7.8-8.5
GPR5-22	4.0	5.5	8.00	0.90-0.87	87	8.7-9.5
GPR5-24	4.0	5.5	8.00	0.90-0.87	87	8.7-9.5
GPR5-26	4.0	5.5	8.00	0.90-0.87	87	8.7-9.5
GPR5-29	4.0	5.5	8.00	0.90-0.87	87	8.7-9.5
GPR5-32	5.5	7.5	11.0	0.89-0.86	88.5	8.9-9.7
GPR5-36	5.5	7.5	11.0	0.89-0.86	88.5	8.9-9.7