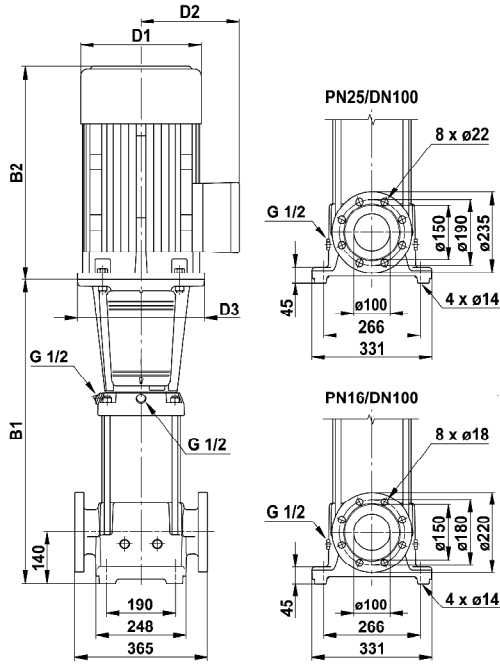




Dimensional sketches



Dimensions and weights

Pump type	Dimensions [mm]						Net weight [kg]
	B1	B2	B1 + B2	D1	D2	D3	
GPR 64-2-1	754	464	1218	260	172	350	158
GPR 64-2	754	464	1218	260	172	350	158
GPR 64-3-2	836	478	1314	306	197	350	196
GPR 64-3-1	836	478	1314	306	197	350	196
GPR 64-3	836	478	1314	306	197	350	205
GPR 64-4-2	919	478	1397	306	197	350	209
GPR 64-4-1	919	600	1519	364	269	350	262
GPR 64-4	919	600	1519	364	269	350	262
GPR 64-5-2	1001	667	1668	404	306	400	345
GPR 64-5-1	1001	667	1668	404	306	400	345
GPR 64-5	1001	667	1668	404	306	400	345
GPR 64-6-2	1084	667	1751	404	306	400	350
GPR 64-6-1	1084	667	1751	404	306	400	370
GPR 64-6	1084	667	1751	404	306	400	370
GPR 64-7-2	1166	667	1833	404	306	400	374
GPR 64-7-1	1166	667	1833	404	306	400	374

Electrical data

3 x 380-415 V, 50 Hz

Pump type	Motor P ₂ [kW]	Full load current I _{1/1} [A]	Power factor Cos φ 1/1	Motor efficiency η [%]	I _{start} I _{1/1}
GPR 64-2-1	11.0	21.5	0.91-0.87	85.0	7.3-8.0
GPR 64-2	11.0	21.5	0.91-0.87	85.0	7.3-8.0
GPR 64-3-2	15.0	28.7	0.87	86.0	6.0
GPR 64-3-1	15.0	28.7	0.87	86.0	6.0
GPR 64-3	18.5	35.9-34.1	0.86	87.0	7.2
GPR 64-4-2	18.5	35.9-34.1	0.86	87.0	7.2
GPR 64-4-1	22.0	42.0-40.0	0.86	89.2	7.3
GPR 64-4	22.0	42.0-40.0	0.86	89.2	7.3
GPR 64-5-2	30.0	56.0-52.0	0.88	91.7	7.5
GPR 64-5-1	30.0	56.0-52.0	0.88	91.7	7.5
GPR 64-5	30.0	56.0-52.0	0.88	91.7	7.5
GPR 64-6-2	30.0	56.0-52.0	0.88	91.7	7.5
GPR 64-6-1	37.0	68.0-63.0	0.89	92.4	7.8
GPR 64-6	37.0	68.0-63.0	0.89	92.4	7.8
GPR 64-7-2	37.0	68.0-63.0	0.89	92.4	7.8
GPR 64-7-1	37.0	68.0-63.0	0.89	92.4	7.8