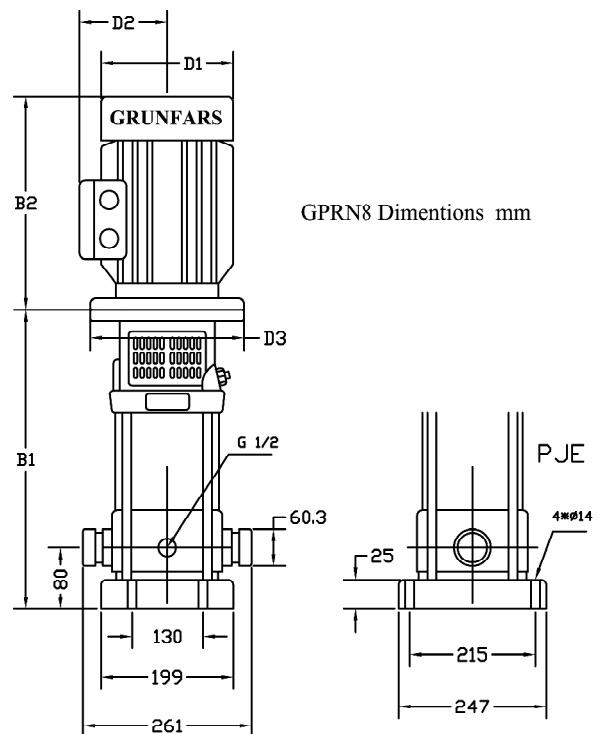
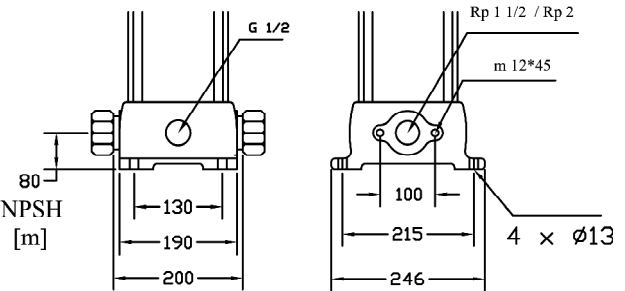
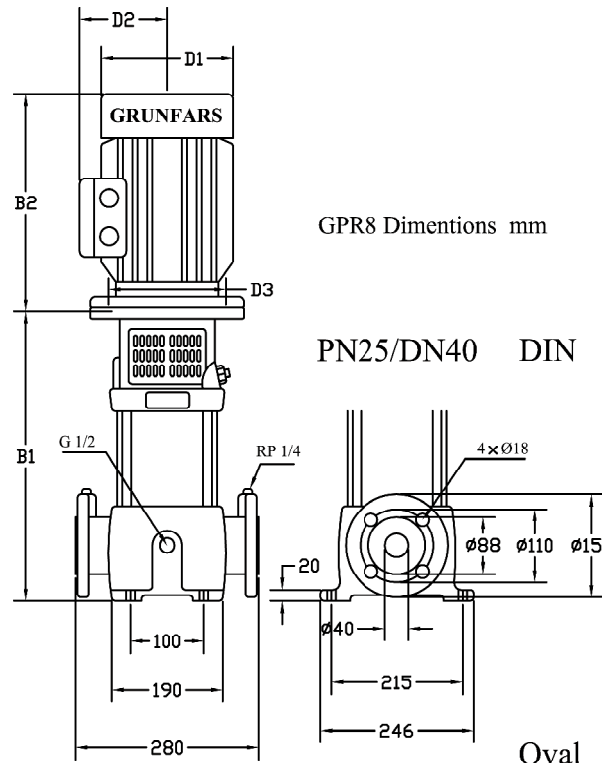
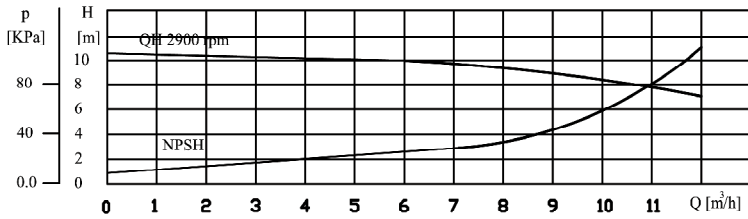
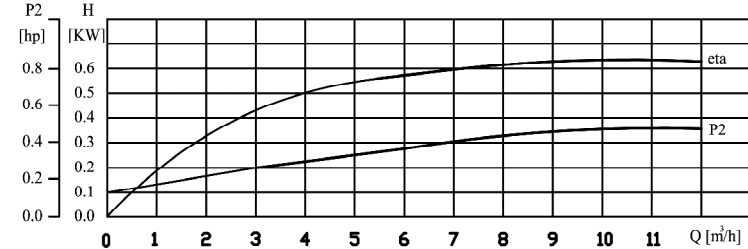
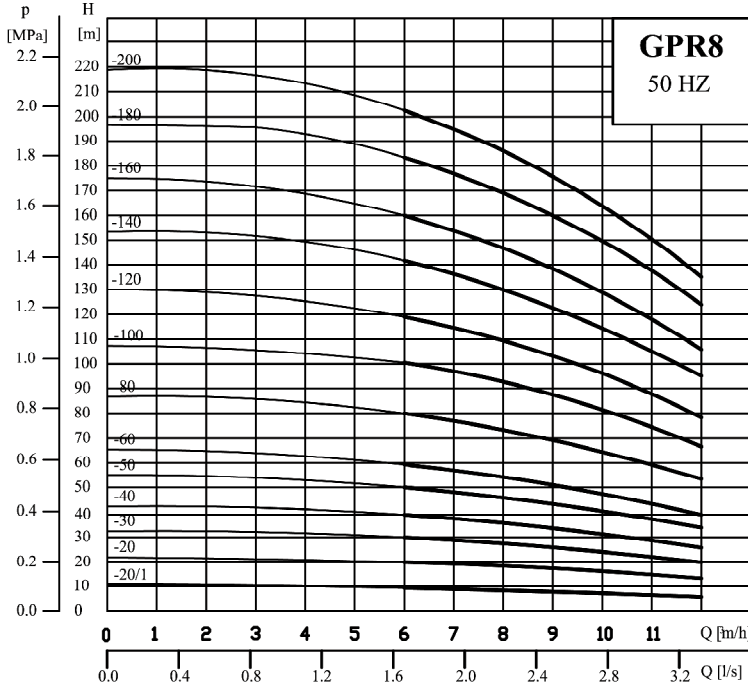




GPR8/GPRN8



Dimensions and weights

pump type	DIMENSIONS [mm]						Net Weight [kg]	
	B1	B2	B1+B2	D1	D2	D3	*	**
GPR8-20/1	355	190	525	140	110		30	35
GPR8-20	340	230	570	140	110		30	35
GPR8-30	370	230	600	140	110		30	35
GPR8-40	415	280	695	180	110		40	45
GPR8-50	445	280	725	180	110		45	50
GPR8-60	475	280	755	180	110		45	50
GPR8-80	540	335	875	180	110		50	55
GPR8-100	600	370	970	180	135		50	55
GPR8-120	660	370	1030	180	135		55	60
GPR8-140	740	390	1130	220	135	300		85
GPR8-160	800	390	1190	220	135	300		85
GPR8-180	860	390	1250	220	135	300		90
GPR8-200	920	390	1310	220	135	300		90

* GPR8 With Oval flanges

** GPR8 With DIN flanges

Pipework connection

DIN 2566 with threaded socket

DIN/2634/2635 with socket for welding

* Oval flange base for pump models GPR8-20/1 to GPR8-80

** DIN flange base for pump models GPR8-80 to GPR8-200