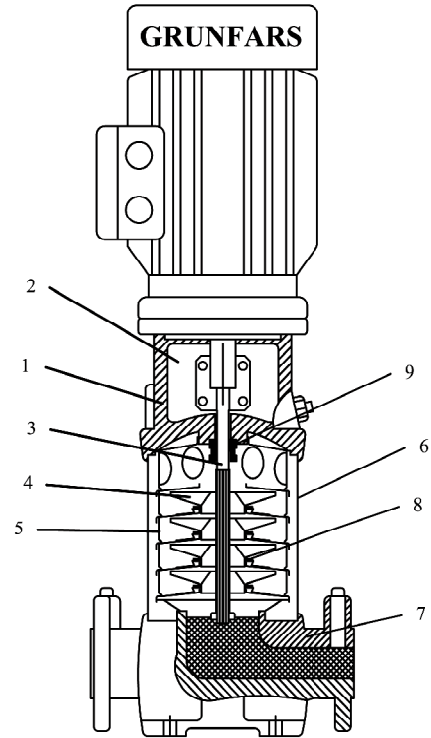




Materials GPR8/GPRN8

POS. NO.	Description	Materials	DIN W.-NO	AISI / ASTM
1	Pump head	Cast iron GG20	0.6020	ASTM 25B
* 2	Cupling guard	stainless steel	1.4301	AISI 304
3	shaft	stainless steel	1.4401 1.4057	AISI 316 AISI 431
* 4	impeller	stainless steel	1.4301	AISI 304
* 5	intermediate chamber	stainless steel	1.4301	AISI 304
* 6	Outer sleeve	stainless steel	1.4301	AISI 304
	Stay bolts	stainless steel or steel 50	1.4057 1.0531	AISI 431
* 7	Base	Cast iron GG20	0.6020	ASTM 25B
8	Neck ring	Teflon		
9	shaft seal	Tungesten carbide Silicon carbide		
	Rubber parts in pump	EPDM or FPM (viton)		



Material for Position No. Marked * in GPRN Type is -
Stainless Steel (1.4401 AISI 316)

Electrical Data

3 X 380-415 V , 50 HZ

pump type	Motor		Full load current I 1/1 [A]	Power Factor Cosφ 1/1	Motor Efficiency n [%]	$\frac{I_{start}}{I_{1/1}}$
	[KW]	[hp]				
GPR8-20/1	0.37	0.5	0.96	0.84-0.76	72	4.8-5.2
GPR8-20	0.75	1.0	1.86	0.86-0.78	74	5.0-5.5
GPR8-30	1.1	1.5	2.65	0.87-0.79	76	5.2-5.7
GPR8-40	1.5	2.0	3.4	0.85-0.79	82	6.3-6.9
GPR8-50	2.2	3.0	4.75	0.87-0.82	84	7.0-7.6
GPR8-60	2.2	3.0	4.75	0.87-0.82	84	7.0-7.6
GPR8-80	3.0	4.0	6.25	0.88-0.82	86	7.8-8.5
GPR8-100	4.0	5.5	8.00	0.90-0.87	87	8.7-9.5
GPR8-120	4.0	5.5	8.00	0.90-0.87	87	8.7-9.5
GPR8-140	5.5	7.5	11.0	0.89-0.86	88.5	8.9-9.7
GPR8-160	5.5	7.5	11.0	0.89-0.86	88.5	8.9-9.7
GPR8-180	7.5	10	15.2	0.87-0.81	89	9.1-9.9
GPR8-200	7.5	10	15.2	0.87-0.81	89	9.1-9.9

Single phase motors 1x 240 v, 50HZ

Motor rating	Full load current amps	Locked Rotor Current Ratio
0.37 kw	3.8	4.0
0.55 kw	5.2	4.2
0.75 kw	6.2	4.0
1.1 kw	7.5	5.2
1.5 kw	9.5	6.0
2.2 kw	14.5	5.0

Motors : Eenclosure clas IP55

Standard 50HZ voltages available:

3x220-240/380-415 V-motors up to 3kw

3x380-415V-motors from 4kw and upwards

1x240V-motors up to 2.2kw

Motors for other voltages available on request

All motors must be connected to a motor starter-
in accordance with local regulations