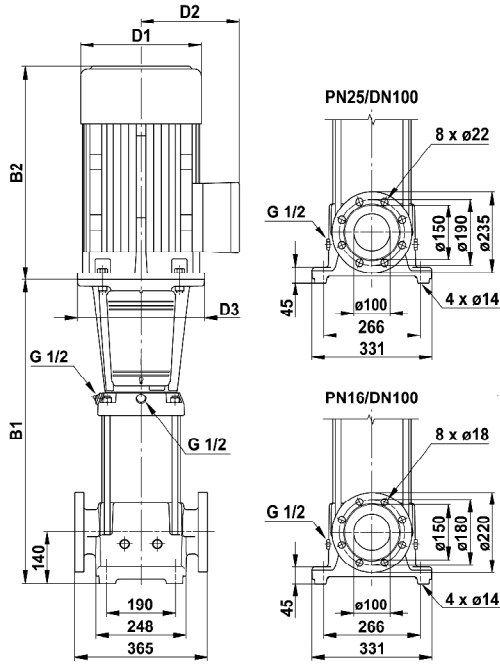




Dimensional sketches



Dimensions and weights

Pump type	Dimensions [mm]						Net weight [kg]
	B1	B2	B1 + B2	D1	D2	D3	
GPR 90-1-1	571	391	962	220	134	350	118
GPR 90-1	571	391	962	220	134	350	122
GPR 90-2-2	773	464	1237	260	172	350	164
GPR 90-2	773	478	1251	306	197	350	197
GPR 90-3-2	865	478	1343	306	197	350	211
GPR 90-3	865	600	1465	364	269	350	264
GPR 90-4-2	957	667	1624	404	306	400	347
GPR 90-4	957	667	1624	404	306	400	347
GPR 90-5-2	1049	667	1716	404	306	400	372
GPR 90-5	1049	667	1716	404	306	400	372
GPR 90-6-2	1141	715	1856	459	342	450	437
GPR 90-6	1141	715	1856	459	342	450	437

Electrical data

3 x 380-415 V, 50 Hz

Pump type	Motor P ₂ [kW]	Full load current I _{1/1} [A]	Power factor Cos φ 1/1	Motor efficiency η [%]	I _{start} / I _{1/1}
GPR 90-1-1	5.5	11.0	0.89-0.86	87.5-87.5	8.9-9.7
GPR 90-1	7.5	15.2	0.87-0.81	88.5-88.0	9.1-9.9
GPR 90-2-2	11	21.5	0.91-0.87	90.0-90.0	7.3-8.0
GPR 90-2	15	28.7	0.87	90.0	6.0
GPR 90-3-2	18.5	35.9-34.1	0.86	91.0	7.2
GPR 90-3	22	42.0-40.0	0.86	91.4	7.3
GPR 90-4-2	30	56.0-52.0	0.88	91.7	7.5
GPR 90-4	30	56.0-52.0	0.88	91.7	7.5
GPR 90-5-2	37	68.0-63.0	0.89	92.4	7.8
GPR 90-5	37	68.0-63.0	0.89	92.4	7.8
GPR 90-6-2	45	83.0-78.0	0.87	93.4	7.8
GPR 90-6	45	83.0-78.0	0.87	93.4	7.8